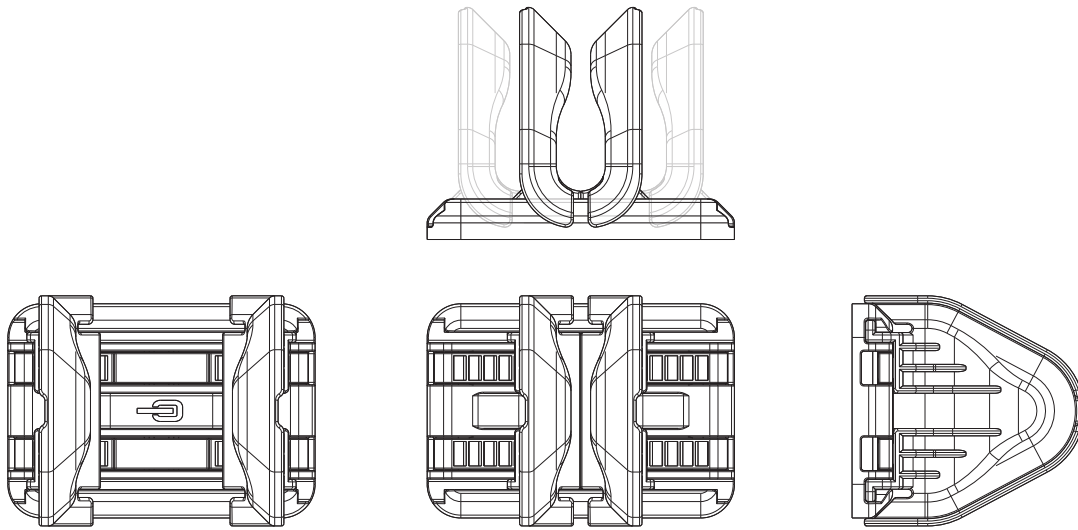


HIPLÖK JAW



LOCK TYPE	Compact Universal Bicycle Rack
SECURITY RATING	Basic
SECURITY AWARDS	-
DIMENSIONS	125 x 95 x 95 mm
WEIGHT	180g
FEATURES	<p>Wall mounted holder stores bicycle vertically or horizontally</p> <p>Fully adjustable, compatible with wheel sizes upto 2.5" tyre width</p> <p>Quick and easy to install</p> <p>Indoor and outdoor use</p> <p>Use with Hiplok Z LOK security ties</p>
COLOURS / CODES	<p>● All Black JAW1AB</p>

REGISTER YOUR HIPLÖK NOW

LIFETIME WARRANTY



We stand by the quality of our locks and are proud to offer lifetime warranty on all Hiplok keyed chain and D locks. Register your lock now for piece of mind.

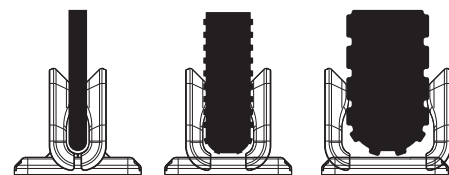
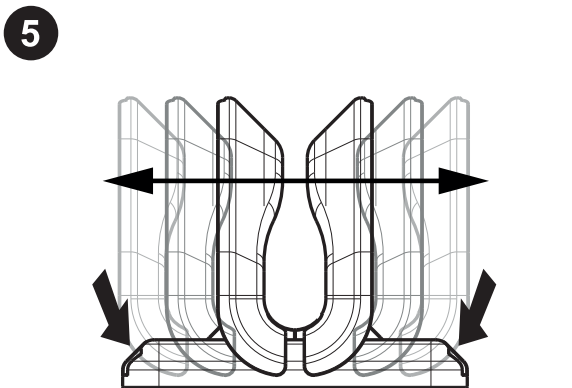
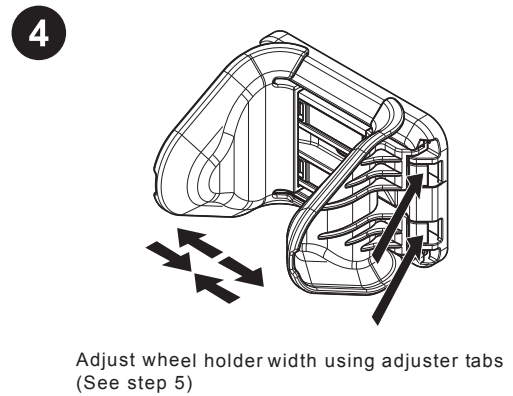
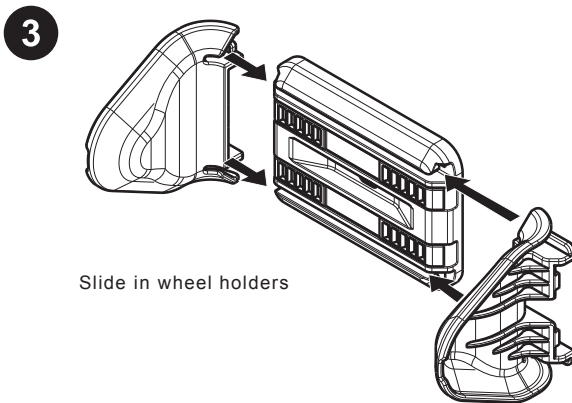
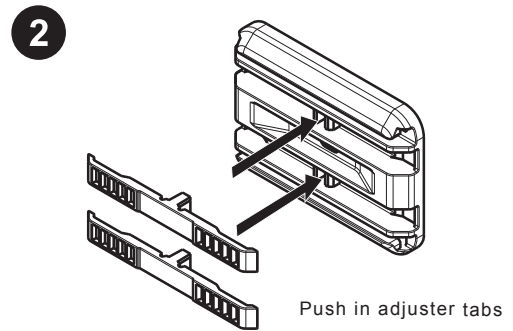
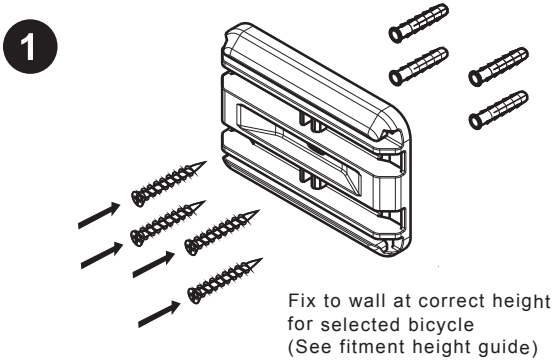
Product must be registered at hiplok.com within 30 days of purchase to qualify for Lifetime Warranty. Lifetime Warranty covers standard wear and tear and does not apply to products subjected to attempted theft or abuse.

Full Terms and Conditions at www.hiplok.com/register

WWW.HIPLÖK.COM/REGISTER

HIPLÖK JAW

INSTALLATION GUIDE



Press down both wheel adjuster tabs and slide wheel holders to desired width. Check tolerance and repeat steps if necessary to find ideal width of wheel holders for your bicycle's tyres.

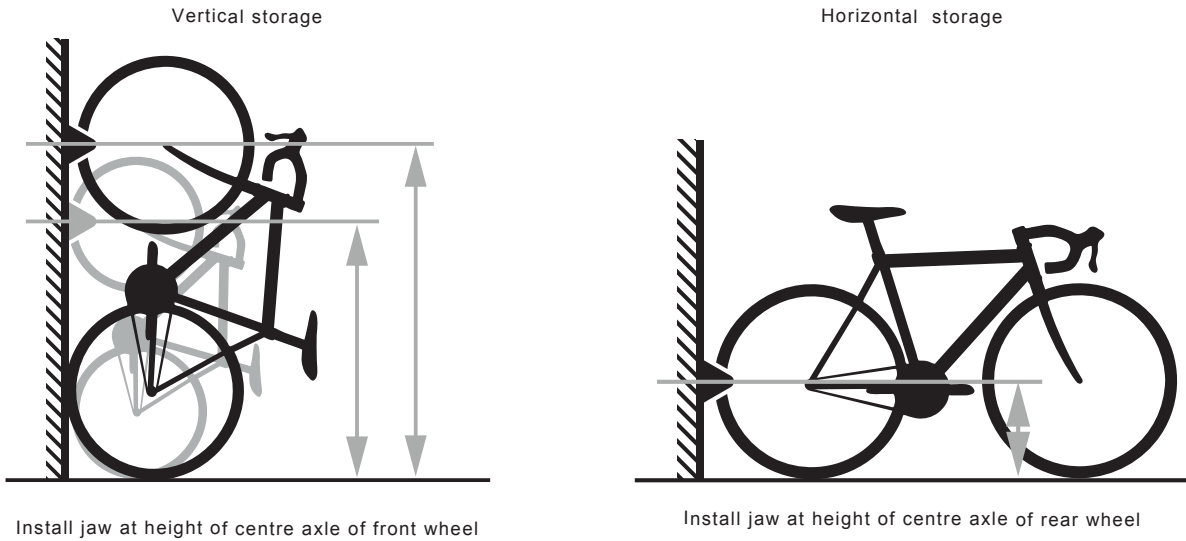
IMPORTANT INFORMATION



- Use appropriate safety equipment when drilling
- Always check for hidden pipes or wires
- Ensure substrate material is of good quality
- For videos on how to install go to: hiplok.com

HIPLÖK JAW

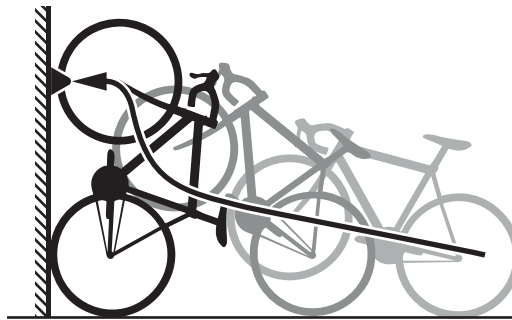
FITMENT HEIGHT GUIDE



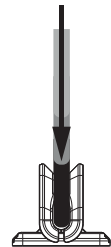
USER GUIDE - LOADING

To store bike vertically:

Roll bike on back wheel and guide front wheel firmly into jaw. Check bike is stable and secure before leaving bike unattended.

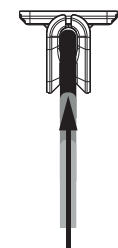
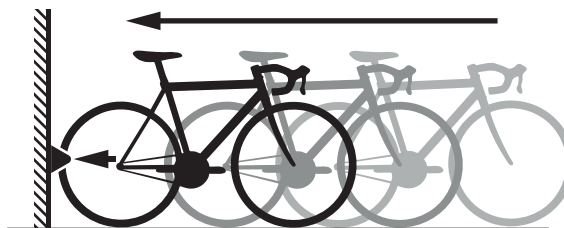


FRONT WHEEL



To store bike horizontally:

Roll bike along ground and guide rear wheel firmly into jaw. Check bike is stable before leaving bike unattended.



REAR WHEEL

For further installation and user guide advice and videos, visit www.hiplok.com